

Sketch with main dimensions

---



---



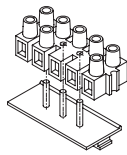
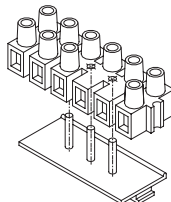
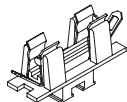
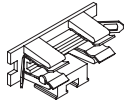
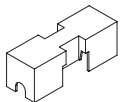
---



---

### Accessories B Connecting parts fuse holder

Group **12**

packing unit	Type	Art.-No.	Version
—	Terminal block holder KH 8 Wz 6448	2420	
—	Terminal block holder KH 10 Wz 6454	2575	
—	Plug-in fuse holder Wz 6890	2379	
—	Plug-in fuse holder horizontal version Wz 7014	2737	
—	Cover for fuse holder Wz 7425	2950	

Sketch with main dimensions

---



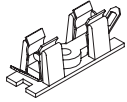
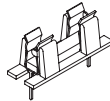
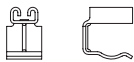

---



---

### Accessories B fuse holder

Group **13**

packing unit	Type	Art.-No.	Version
—	Fuse holder for rivet fixing, Wz 0986	2614	
—	Fuse holder for PCB Wz 6612	2610	
2000	Fuse holder S 2,8/0,8	367	
—	Bushing DF 6,3 x 0,8 Wz 7772	3518	
—	Bushing DF 6,3 x 0,8/mB with contact protection Wz 7856	3623	