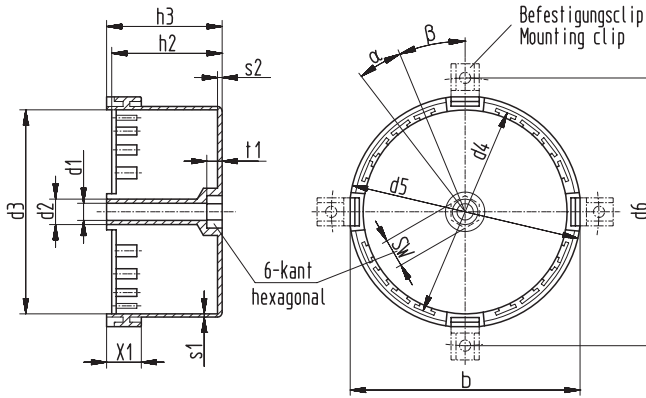


Sketch with main dimensions



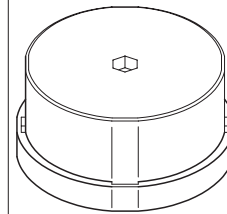
These new space saving universal boxes (DBGM 9105179.7) can be fitted with pins and terminals, see terminals group 11

On request these boxes can be fixed with separate mounting clips Wz 7390 (DBGM 91 05178.9) on both sides of the middle axis, see below.

Standard material: PA 6 - 30GV, grey

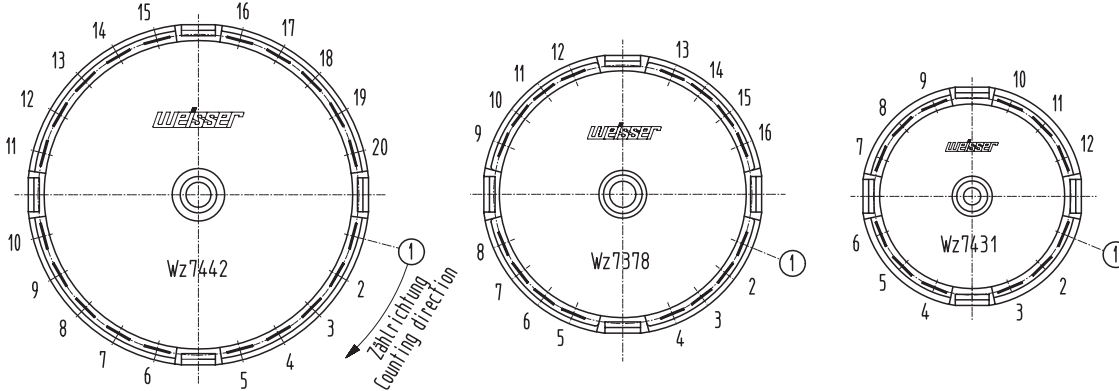
Box for toroids, VR/UNI - DBGM -

11

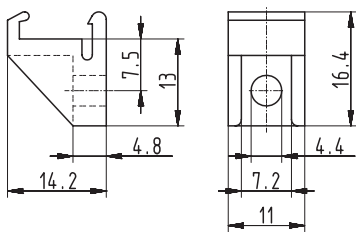


b	d1	d2	d3	d4	d5	d6	a°	b°	h2	h3	s1	s2	sw	t1	X1	X3 ①	Type	Art.-No.
±0,3	±0,1	±0,1	±0,3	±0,5	±0,3	±0,5	±30	±30	±0,2	±0,2	±0,1	±0,1		±0,1	±0,2		VR/UNI 60 x 35	2958
69,3	5,6	10	60	64	70,2	84,3	22,5	22,5	38,3	39,2	1,5	1,5	8	5,2	12,2	12	Wz 7431	
90	6,4	10	80	83,6	90,8	105	15	22,5	43,3	44,1	1,8	1,8	10	6	12,2	16	Wz 7378	2847
110,3	8,2	12	100	104	110,6	125,3	15	15	53,6	54,3	1,8	1,8	13	8,2	12,2	20	Wz 7442	2965

Pinning positions of box VR/UNI (top view, showing interior of the boxes)



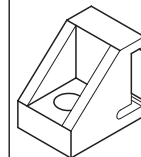
Sketch with main dimensions



With this mounting clip the above mentioned box VR/UNI can be fixed on both sides of the middle axis. DBGM 9105178.9

Standard material: PA 6 - 30GV, grey

Mounting clip for box - DBGM -



Type	Art.-No.
Mounting clip	2922

① X3 = max. number of slots or terminals