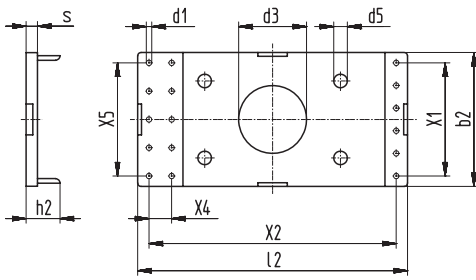
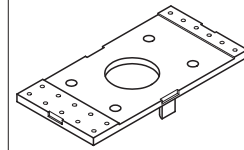


Sketch with main dimensions



Standard material: PA 6 - 30GV, grey

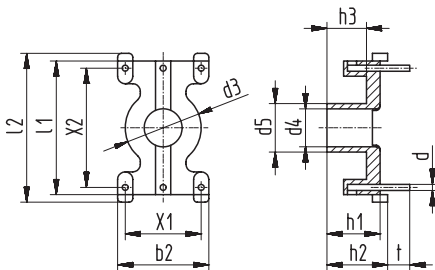
Pin frame for box



b2	d1	d3	d5	h2	l2	s	X1	X2	X3 ①	X4	X5	matching box
±0,2	±0,1	±0,2	±0,2	±0,2	±0,2	±0,1	±0,2	±0,2		±0,15	±0,2	
29,6	1	15	3	7,8	59,8	2,6	5x5	55,2	1x6 2x5	5	4x6,25	Wz 2011

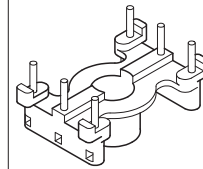
Type	Art.-No.
SR 58 x 28	2797
Wz 2022	

Sketch with main dimensions



Toroid mount with a maximum outside diameter of 12 mm, a minimum inside diameter of 6,5 mm and a height of minimum 5,5 mm for PCB mounting.

Mounting plate for toroids, horizontal version



Supplied with terminals  $\varnothing$  0,8 mm.

The toroid is located onto the mount before winding. The base of the toroid mount is included into the winding.

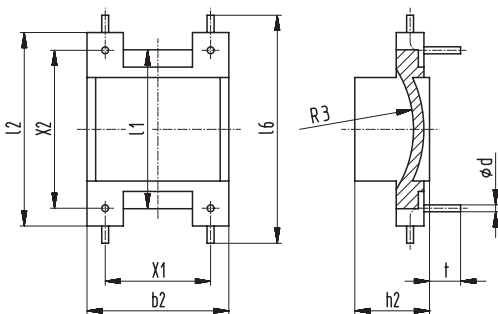
Standard material: PA 6.6 - 30 H, black, fully pinned.

Special material and partial fitting on request.

b2	h1	h2	h3	d	d3	d4	d5	l1	l2	t	X1	X2	X3 ①
±0,1	±0,1	±0,1	±0,1	±0,1	±0,2	±0,1	±0,1	±0,2	±0,2	±0,2	±0,2	±0,2	
12	7	7,8	5,2	0,8	10	5	6,4	17,6	19,7	3	2x5	15,7	2x3

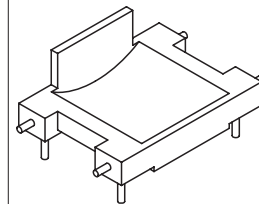
Type	Art.-No.
MH 20/12/8	3186
Wz 7588	

Sketch with main dimensions



Fully pinned available only.

Mounting plate for toroids, vertical version



Standard material: PA 6.6 - 30 H, black

b2	h2	d	l1	l2	l6	R3	t	X1	X2	X3 ①
±0,2	±0,2	±0,1	±0,2	±0,2	±0,2	±0,2	±0,2	±0,2	±0,2	
20,5	10,8	0,8	23	28	32,7	17,2	4,6	15,24	22,86	2x2

Type	Art.-No.
RHV 4/22,8x15,2	3672
Wz 7875	

① X3 = max. number of slots or terminals